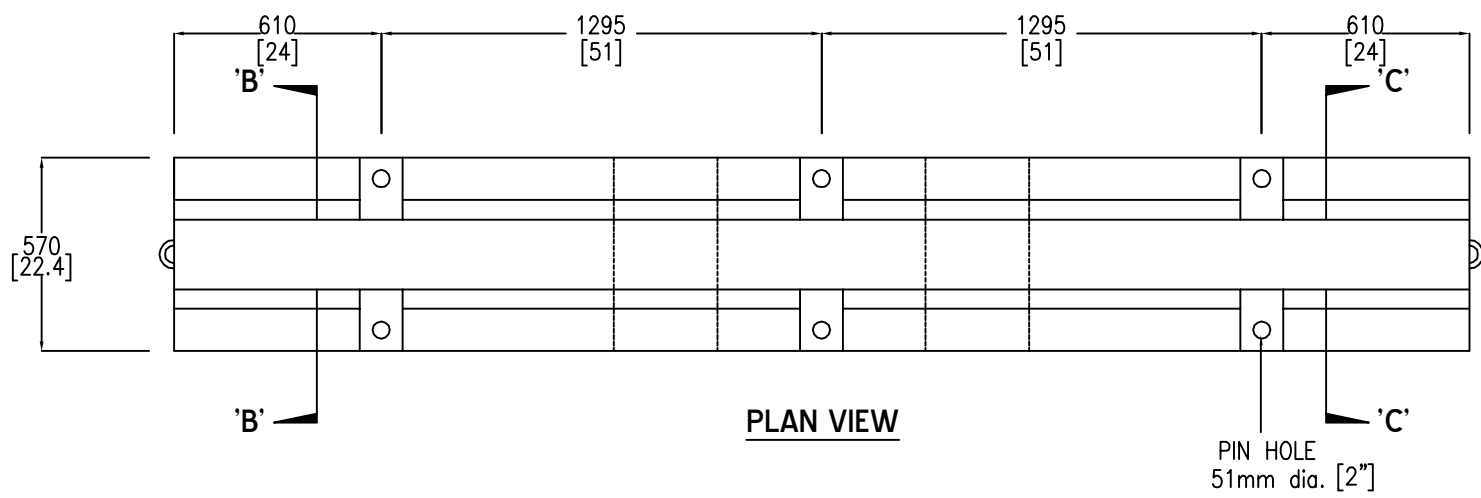
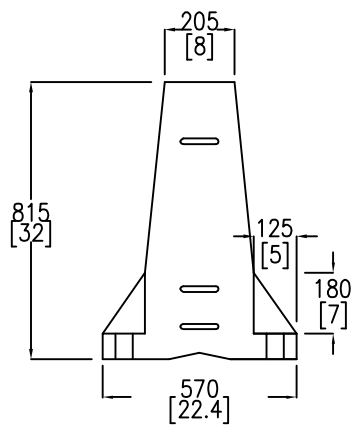


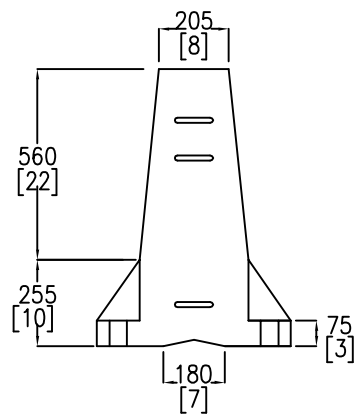
**CROSS SECTION 'A'**



**PLAN VIEW**



**CROSS SECTION 'B'**



**CROSS SECTION 'C'**

**NOTES:**  
 AS PER MTOD 911.16  
 PIN & LOOP CONNECTION

\*CSA 23.4-05  
 35 MPA (5000 PSI) AT 28 DAYS  
 5-8% AIR ENTRAINED

REV.#	MM/DD/YYYY	PREP.
1	APR/29/2009	LRW
2	DEC/02/2011	EG

**E-43**

TYPE M CONNECTION 3.8m BARRIER

WEIGHT = 2268 KG/5000 LBS

**815mm(H) X 3810mm (L)**

